

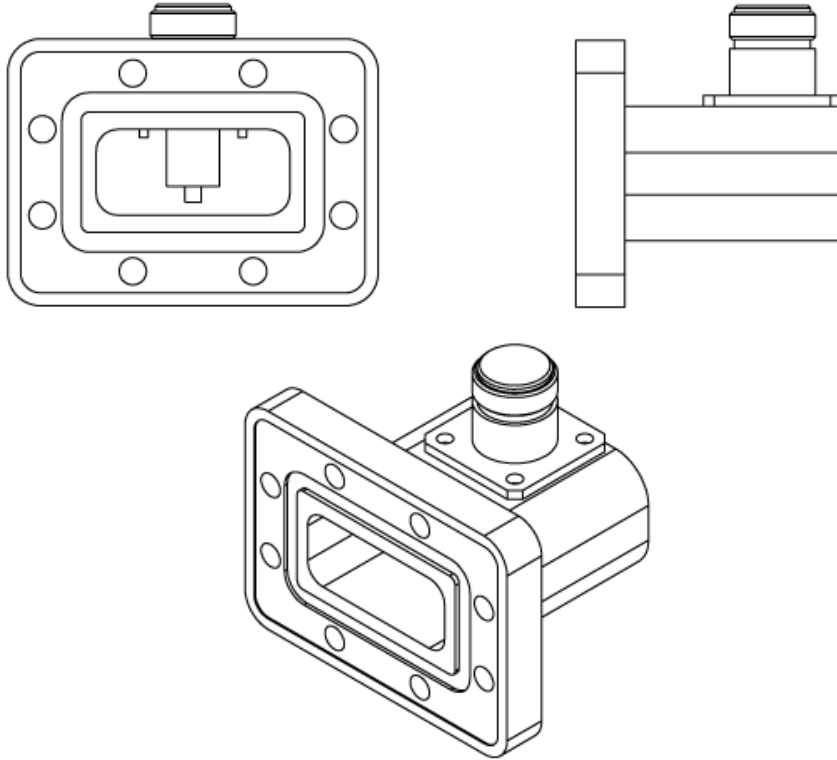


Model Number:
WGAPTX-197146-XXXX

RF Components

C-Band Waveguide Adaptor

5.85 - 8.2 GHz



Specification	
Waveguide Size	WG14 / WR137 / R70
Frequency	5.85 - 8.2GHz
Material	Brass / Aluminium
VSWR / Return Loss	1.1 / 25.6 dB
Waveguide Flanges	CPR 137G (CG) / CPR 137F (CF) PDR 70 (PD) / UDR 70 (UD) UG344/U (US) / UAR 70 (UA) / PAR 70 (PA) UG343B/U (UG) / UG344/U (UF)
Coaxial Connector (Female)	N-type 50 ohm / SMA 50 ohm
Finish	Black

Model Numbers Example WGAPTB-197146-CGN5				
WGAPT	B	197146	CG	N5
Waveguide Adaptor	A—Aluminium B— Brass	Model Number	Waveguide Flange	Coax Connector

Broadcast



Marine Oil & Gas



SNG & VSAT



Satellite Teleport

